

- PLC
- HMI
- SENSOR
- ENCODER
- COUNTER
- INFORMATION

SJ-ETHER/SJ Series

Analog Module

Analog Input Module 《4 Channels》

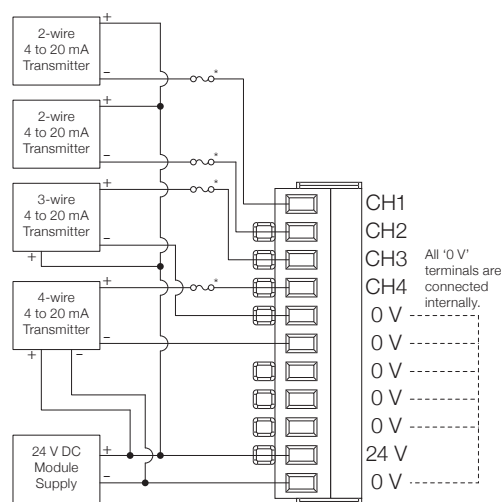
C0-04AD-1



Input Specifications

Items	Specifications
Inputs per Module	4
Input Range	0 to 20 mA (Sink)
Resolution	13-bit, 2.44 uA/count
Input Type	Single ended (One common)
Maximum Continuous Overload	±44 mA
Input Impedance	124 Ω, 0.5 W current input
Filter Characteristics	Low pass, -3 dB at 120 Hz
Sample Duration Time	2 ms
All Channel Update Rate	25 ms
Accuracy Against Temperature	Maximum ±75 ppm/°C
Maximum Inaccuracy	0.5% of range (Including temperature changes)
Linearity Error (End-to-end)	±3 count maximum, monotonic with no missing codes
Input Stability and Repeatability	Maximum ±2 count
Full Scale Error (Including Offset)	Maximum ±8 count
Offset Error	Maximum ±8 count
Maximum Crosstalk at DC, 50/60 Hz	Maximum ±2 count
Field to Logic Side Isolation	1,800 V AC for 1 sec.
Recommended Fuse (External)	ADC p/n S500-32-R (0.032 A fuse)
External 24 V DC Power Required	65 mA
Bus Power Required (24 VDC)	20 mA
Terminal Block Replacement	ADC p/n C0-8TB
Weight	82 g

Wiring Diagram



* 0.032 A fast-acting fuse (ADC p/n S500-32-R) is recommended.

- Common Subject Matter
- SJ-ETHER/SJ
- DL05/06
- DL205
- D4
- D3
- Programmer
- KPP
- DirectSOFT
- Terminator I/O
- Features
- Specifications
- Dimensions
- CPU Specifications
- Power Supply Module
- Input/Output Module
- Analog Module