

- PLC
- HMI
- SENSOR
- ENCODER
- COUNTER
- INFORMATION

# SJ-ETHER/SJ Series

## Input/Output Module

### Input Module 《DC 8 Points》

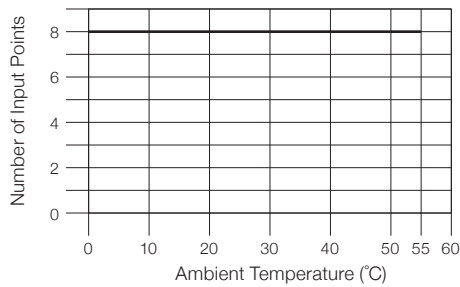
J-08ND3-1



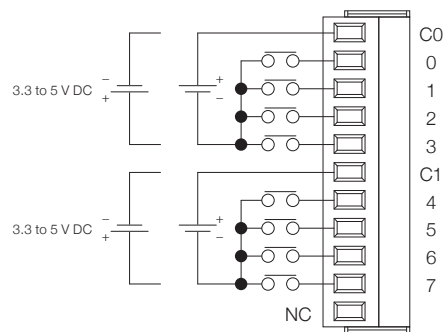
#### Input Specifications

Items	Specifications	
Number of Input Points	8 points (Sink/source)	
Number of Occupied Inputs	8 points	
Common	2 (4 points/common)	
Input Voltage Range	3.3/5.0 V DC	
Operating Voltage	2.8 to 5.5 V DC	
Peak Voltage	5.5 V DC	
Input Current	5 mA (5 V DC)	
Maximum Input Current	7.5 mA (5.5 V DC)	
Required Current on the Main Power Supply Side	Up to 30 mA	
On-state Voltage / Current	2.2 V AC/1.4 mA	
Off-state Voltage / Current	0.8 V AC/0.2 mA	
Input Impedance	680 Ω	
Response Time	OFF→ON	Up to 3.0 ms    Standard 1.6 ms
	ON→OFF	Up to 4.0 ms    Standard 2.3 ms

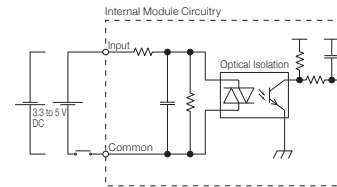
#### Derating Chart



#### Wiring Diagram



#### Equivalent Circuit



- Features
- Specifications
- Dimensions
- CPU Specifications
- Power Supply Module
- Input/Output Module**
- Analog Module