

- PLC
- HMI
- SENSOR
- ENCODER
- COUNTER
- INFORMATION

SJ-ETHER/SJ Series

Input/Output Module

Output Module 《DC 8 Points》

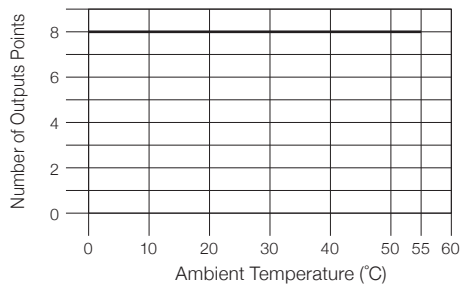
J-08TD2



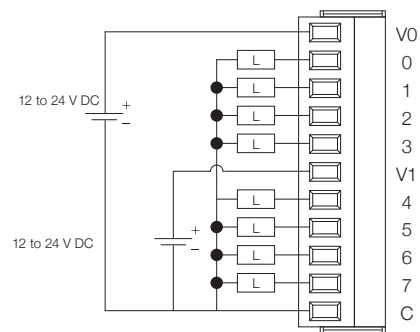
Output Specifications

Items	Specifications
Number of Outputs Points	8 points (Source)
Number of Occupied Outputs	8 points
Common	2 (4 points/common)
Output Voltage Range	12/24 V DC
Operating Voltage	9.6 to 30 V DC
Peak Voltage	30 V DC
Output Type	PMOS FET
ON-time Voltage Drop	1.5 V DC (0.3 A)
Maximum Output Current	0.3 A (Points)/1.2 A (Common)
Maximum Leakage Current	0.1 mA (30 V DC)
Maximum Inrush Current	1 A (10 ms)
Minimum Load Current	0.5 mA
Required Current on the Main Power Supply Side	Up to 50 mA
Response Time	OFF→ON: Up to 1 ms ON→OFF: Up to 1 ms
Fuse	None

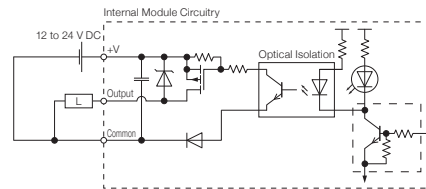
Derating Chart



Wiring Diagram



Equivalent Circuit



- Common Subject Matter
- SJ-ETHER/SJ
- DL05/06
- DL205
- D4
- D3
- Programmer
- KPP
- DirectSOFT
- Terminator I/O

- Features
- Specifications
- Dimensions
- CPU Specifications
- Power Supply Module
- Input/Output Module
- Analog Module